

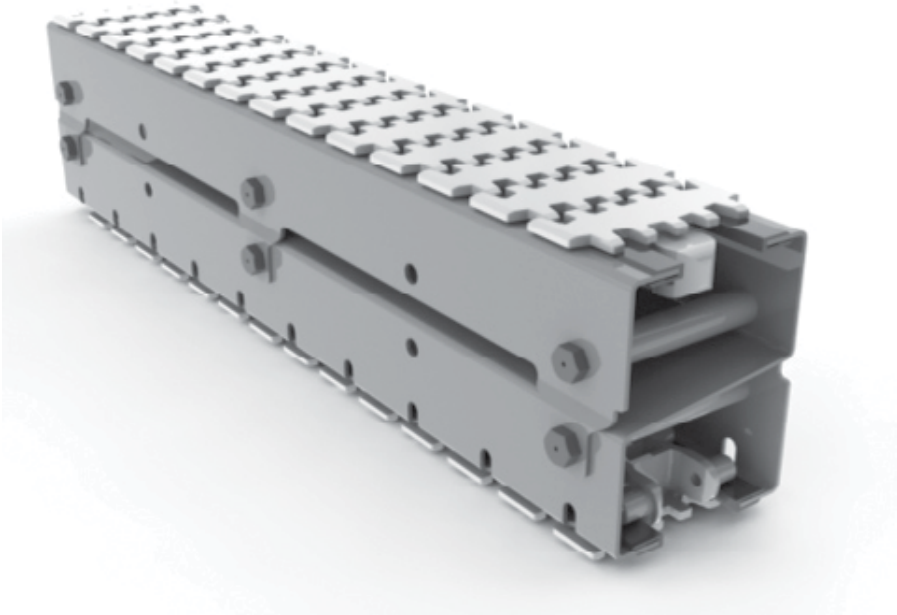
The FlexMove logo features the brand name in a bold, white, sans-serif font. To the right of the text is a stylized icon of a roller or pulley with a central hub and a curved outer rim, also in white. The background of the top section is a dark blue, semi-transparent image of a conveyor system's internal components, including rollers and structural beams.

FlexMove

NEW

SMZ

85mm Stainless
Steel Conveyor
System



SMZ

SMZ SERIES

Variety of chain type suitable for wide range of applications either horizontal or vertically product transportation.

SC Series Characteristic

Beam Width: 85mm

Product Width: Refer to Guide Rail Assembly

Accessories Needed

Slide Rail Required: FASR-25, FASR-25U, FASR-25X

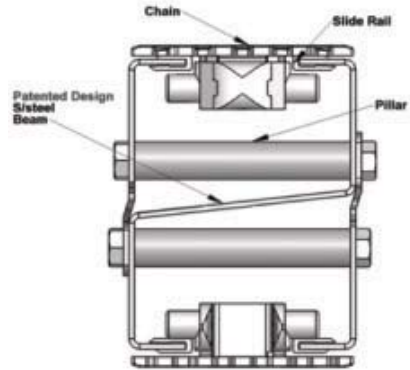
Slide Rail Colour: White Or Natural Colour

Slide Rail Material: HDPE OR UHMW

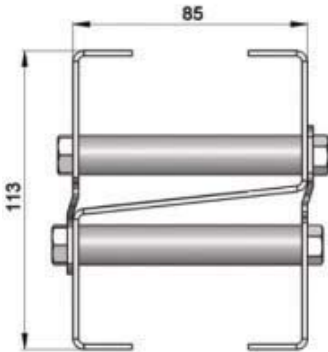
Slide Rail Rivet: FASLS-M5

Connecting strip is used to connect 2 beams.

Connecting Strip: SACS-50x75



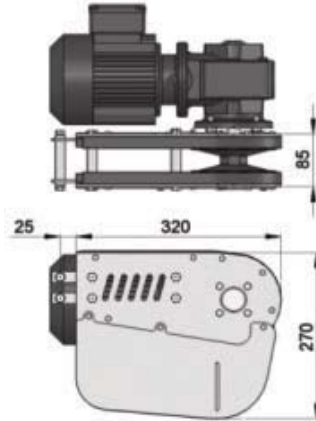
Conveyor Beam SMZCB



PATENTED



SMZ 85 Direct End Drive with Motor (LEFT)	SMZ 85 Direct End Drive without Motor (LEFT)
SMZDD-85-0.25L, 0.37L, 0.55L	SMZDD-85-0L

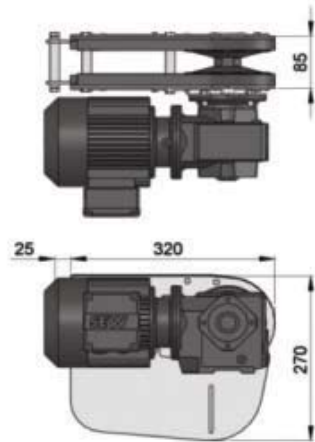
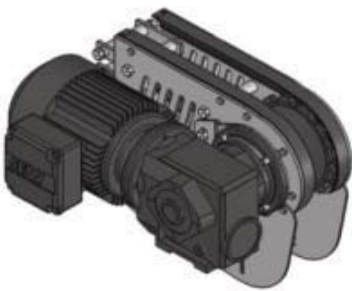


Max Traction Force : 1250N

The Direct End Drive Unit is without torque limiter. Standard attached gear motors are with SEW motor size 0.25kW, 0.37kW & 0.55kW. SMZDD-85-0L represents direct drive without motor. Multi channel drives available upon request.

UOM : pc Chain required 2-way : 0.8 meter Slide rail required 2-way: 0 meter

SMZ 85 Direct End Drive with Motor (RIGHT)	SMZ 85 Direct End Drive without Motor (RIGHT)
SMZDD-85-0.25R, 0.37R, 0.55R	SMZDD-85-0R



Max Traction Force : 1250N

The Direct End Drive Unit is without torque limiter. Standard attached gear motors are with SEW motor size 0.25kW, 0.37kW & 0.55kW. SMZDD-85-0R represents direct drive without motor. Multi channel drives available upon request.

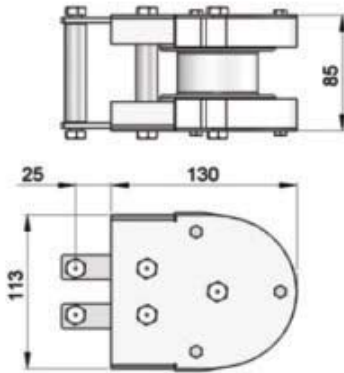
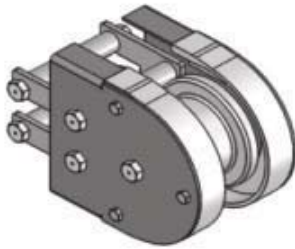
UOM : pc Chain required 2-way : 0.8 meter Slide rail required 2-way: 0 meter

SEW gear motors are products of SEW Eurodrive

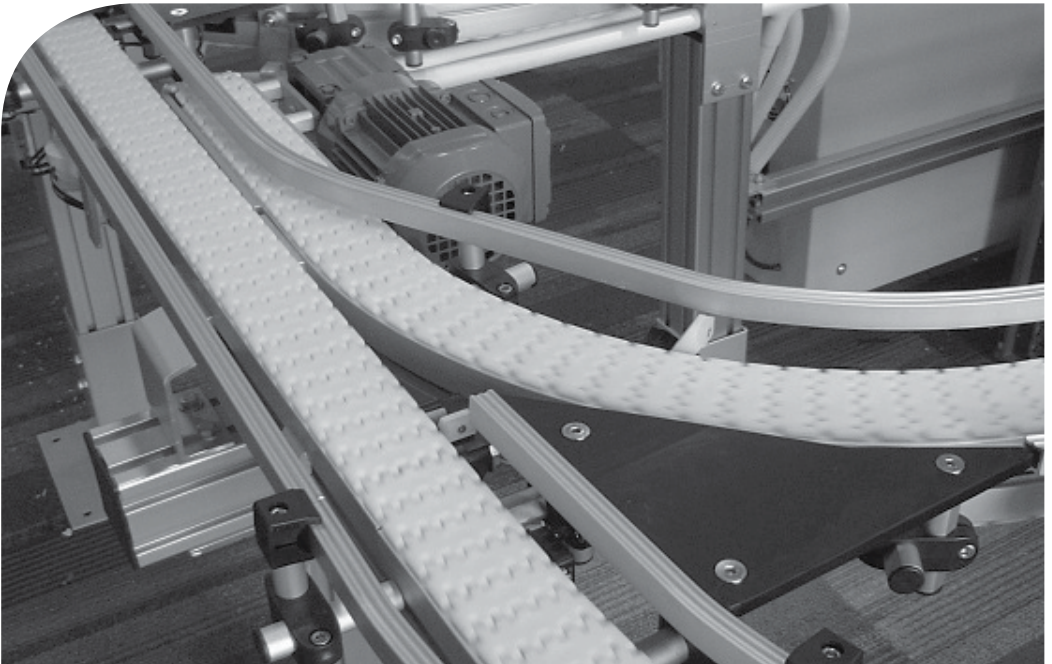
SMZ SERIES

SMZ 85 Idler End-130

SMZIE85-130

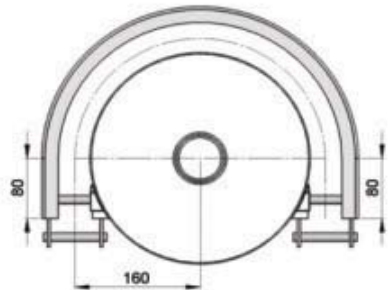


UOM : pc Chain required 2-way : 0.8 meter Slide rail required 2-way: 0.5 meter



SMZ Wheel Bend 180°

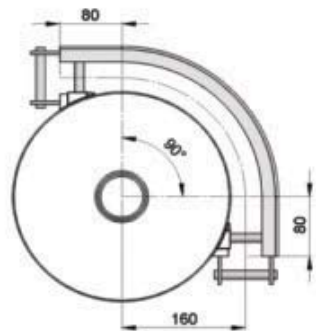
SMZWB-180R160



UOM : pc Chain required 2-way : 1.4 meter Slide rail required 2-way: 2.8 meter

SMZ Wheel Bend 90°

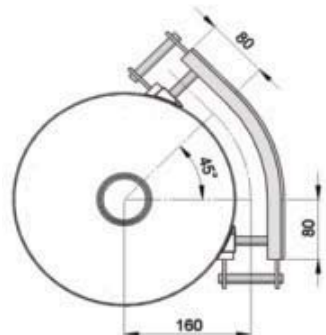
SMZWB-90R160



UOM : pc Chain required 2-way : 0.9 meter Slide rail required 2-way: 1.7 meter

SMZ Wheel Bend 45°

SMZWB-45R160



UOM : pc Chain required 2-way : 0.6 meter Slide rail required 2-way: 1.2 meter

SMZ SERIES

SMZ Horizontal Bend 45°

Horizontal plain bend, 45° ± 1°

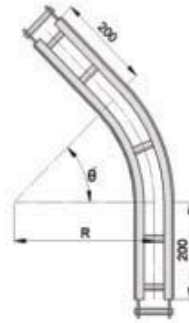
R = 500 ± 10mm **SMZHB-45R500**

R = 700 ± 10mm **SMZHB-45R700**

UOM : pc

Chain required 2-way (500, 700) : 1.6, 1.9 meter

Slide rail required 2-way(500, 700): 2.9, 3.3 meter



SMZ Horizontal Bend 90°

Horizontal plain bend, 90° ± 1°

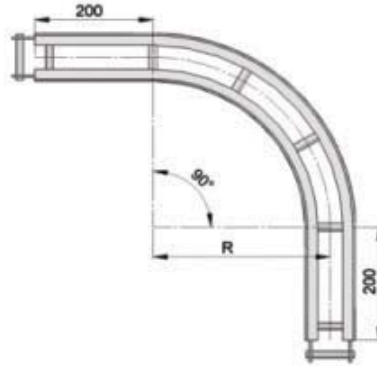
R = 500 ± 10mm **SMZHB-90R500**

R = 700 ± 10mm **SMZHB-90R700**

UOM : pc

Chain required 2-way (500, 700) : 2.4, 3.0 meter

Slide rail required 2-way(500, 700): 4.8, 6.0 meter



SMZ Horizontal Bend 5° - 90°

Example for SMZ Horizontal Plain Bend Ordering

Horizontal plain bend, Ø° ± 1°

R = 500 ± 10mm **SMZHB-ØR500**

R = 700 ± 10mm **SMZHB-ØR700**

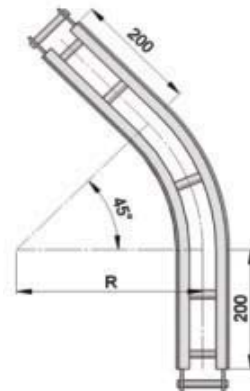
If angle of 70 is needed for radius R500 horizontal plain bend, so the ordering part number is

SMZHB-70R500

UOM : pc

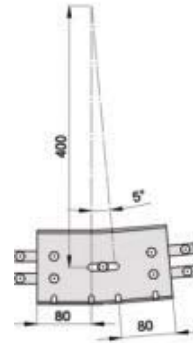
Chain required 2-way (500, 700) : meter (variable to angle)

Slide rail required 2-way(500, 700): meter (variable to angle)



SMZ Vertical Bend 5°

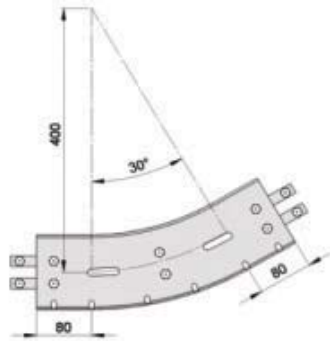
SMZVB-5R400



UOM : pc Chain required 2-way : 0.4 meter Slide rail required 2-way: 0.8 meter

SMZ Vertical Bend 30°

SMZVB-30R400



UOM : pc Chain required 2-way : 0.8 meter Slide rail required 2-way: 1.5 meter

SMZ Vertical Bend 5° - 90°

Example for SMZ Vertical Bend Ordering

- Vertical bend, $\theta^\circ \pm 1^\circ$

If angle of 25° is needed for vertical bend, so the ordering part number is

SMZVB-25R400

*The outer bend is assembled using connecting strip (SAZCS-50x76).
Angle of θ° must be indicated when ordering.*

